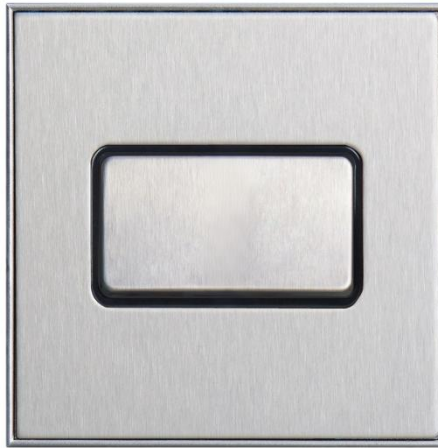


Product Code	Description
GC251A-2	10A 1 Gang 2 Way Switch



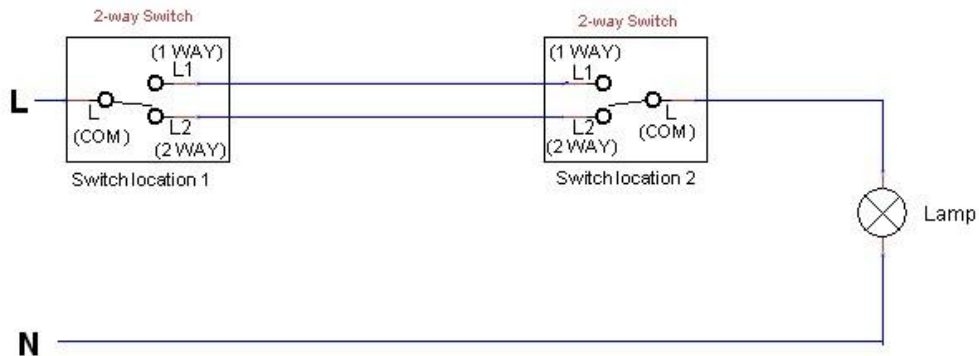
GC251A-2-BFSS





Technical Specification

- Rated Voltage: 250VAC, 50/60Hz
- Rated Current: 10AX
- Recommended wire size:
1.5mm² ~ 2.5mm²
- Isolating Gap Contact: 3mm nominal
- Contact Material: Silver-Nickel Alloy
- Operating Temperature:
-5°C to +40°C
- IP Rating: IP4X
- No. of operations:
40,000 at 10 Amp.
- Dimensions: 86 x 86 x 4mm (WxHxD)
- Fix Center: 60.3mm
- Fix Screws (2x each):
M3.5 x 0.6 x 25mm±
M3.5 x 0.6 x 15mm±
- Mounting box: >25mm depth
 - R1150, flush mounting, plastic
(80 x 80 x 48.4mm) (WxHxD)
 - M1247, flush mounting, metal
(79 x 73 x 47mm) (WxHxD)
- Comply to standards:
GB 16915
IEC 60669-1
BS EN 60669
MS IEC 60669

Note: The metal frame needs to be earthed.

Typical 2-way switch connection



Product Code	Colour
GC251A-2-BFSS	 Black Interior, Stainless Steel, Fingerprint Proof, Statin Nickel
GC251A-2-BFMR	 Black Interior, Electroplated with Matt Brass, Fingerprint Proof, Satin Brass
GC251A-2-BSBL	 Black Interior, Matt Black
GC251A-2-BLQB	 Black Interior, Antique Brass
<i>For other colours, please contact T&J Sales representative</i>	