

Product Code	Description
K2772L-2-D	Do Not Disturb & Make Up Room with Green/Red LED

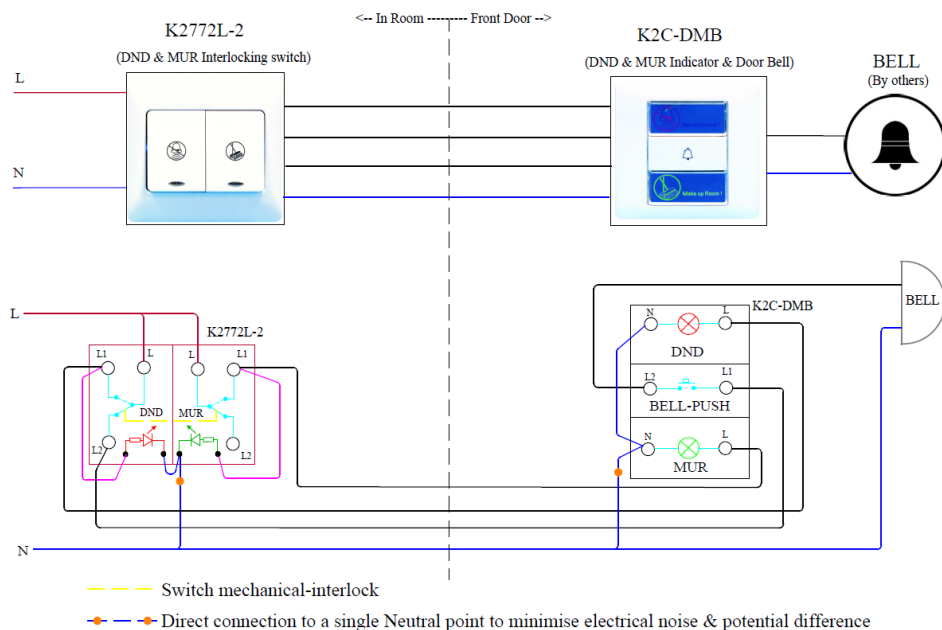


K2772L-2-D

### Technical Specification

- Dimensions:  
86 x 86 x 5mm (WxHxD)
- Fix Center: 60.3mm
- Fix Screws: M3.5 \* 18 mm
- Operating temperature:  
-5°C to +40°C
- Mounting box: > 35mm depth
  - B1135 (for surface mounting)
  - M1035 (for flush mounting)

### Schematic Diagram



Product Code	Colour
K2772L-2-D	White
K2772L-2-SBL-D	Matt Black (SBL)
K2772L-2-MSB-D	Matt Silver Black (MSB)
<i>For other colours, please contact T&amp;J Sales representative</i>	