

Product Code	Description
E8213SL-DP	13A 250V Double Pole Switched BS Socket Outlet IP66

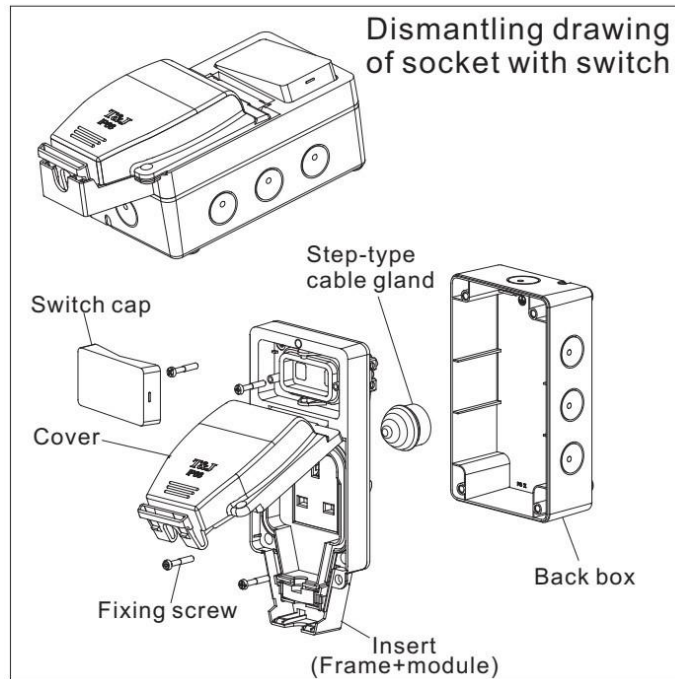


E8213SL-DP

Technical Specification

- Rated voltage: 250VAC 50/60Hz
- Socket (W8313A) rated current: 13A
- Switch rated current: 20AX
- Double-pole switch
- With indicator light (Red)
- Recommended wire size: 2.5-4mm²
- Dimensions: 180.5 x 83 x 80.5mm (HxWxD)
- Padlock hole ready
- IP66 – protected against dust, and powerful water jets
- Comply to standards:
 - BS 1363-2
 - BS EN 60669-1
 - IEC 60669
 - GB/T 16915.1
 - SS 145-2
 - MS 589-2

Installation Method



Other socket types available*:

Product	Model No.	Description
		W8318A 16A Universal Socket Module
		W8313A 13A Socket Module
		W8110CH 10A 1 Gang Swiss Socket Module
		W8116CH 16A 1 Gang Swiss Socket Module
		W8727 16A 1 Gang Schuko Module
		W8716V 16A 2 Pin + Earth French Socket Module
		W8811V 10A 2 Pin+Earth AUS/NZ Socket Module (vertical)

*Please contact T&J Sales representative