

Product Code	Description
E2110L	10A 250V 1 Gang 1 Way Retractive Switch with Indicator IP66

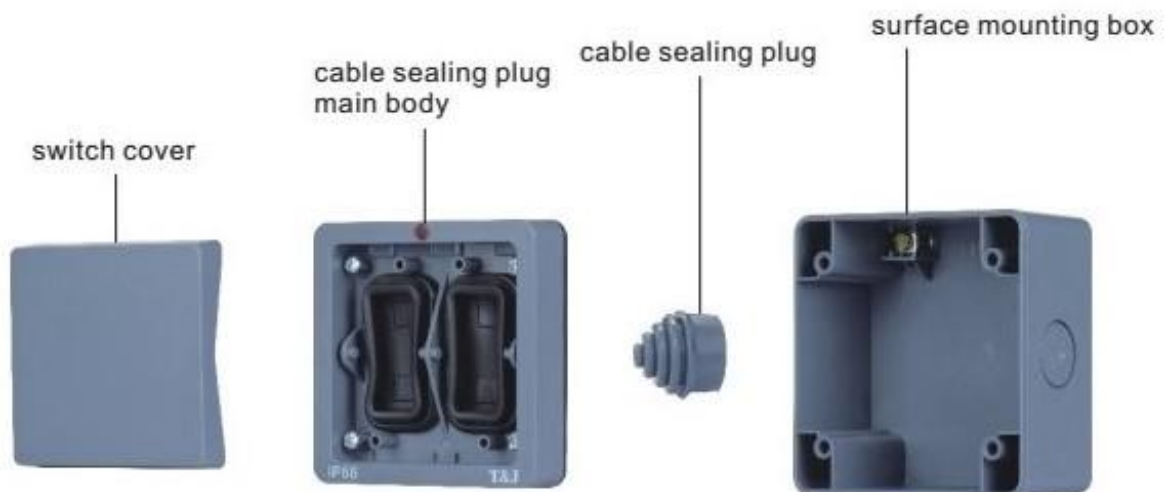


E2110L

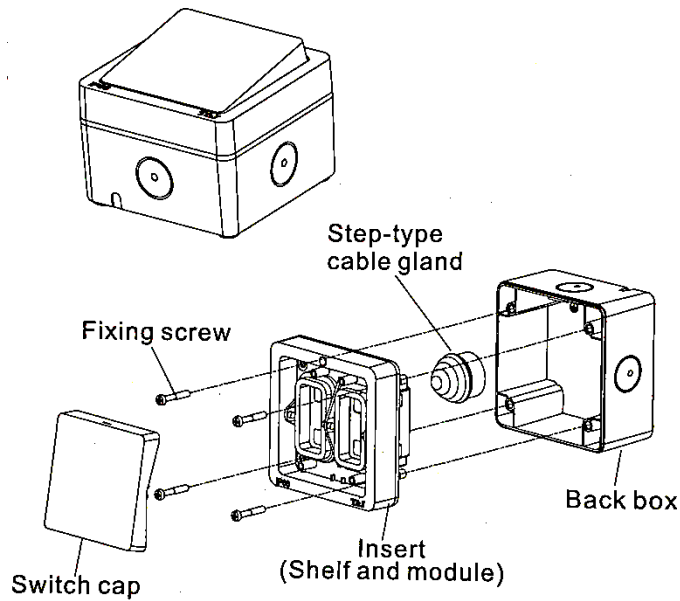
### Technical Specification

- Rated Voltage: 250VAC, 50/60Hz
- Rated Current: 10AX
- With indicator light (red LED)
- Recommended wire size:  
1.5mm<sup>2</sup> - 2.5mm<sup>2</sup>
- IP66 – protected against dust and powerful water jets
- Dimensions: 83 x 83 x 68mm (WxHxD)
- Comply to standards:  
BS EN 60669-1  
IEC 60669-1  
GB/T 16915.1

### Switch Main Parts



## Installation Method



**Note:** "LOOP" terminal – if Neutral wire looping is required, otherwise no connection.