

Product Code	Description
E2110L-B	10A 250V 1 Gang 1 Way Bell Switch IP66

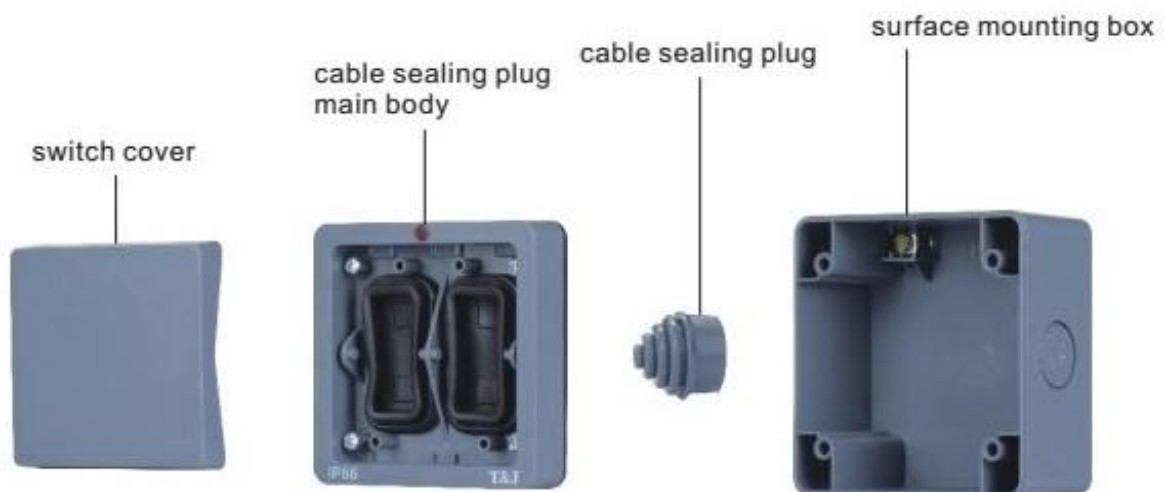


E2110L-B

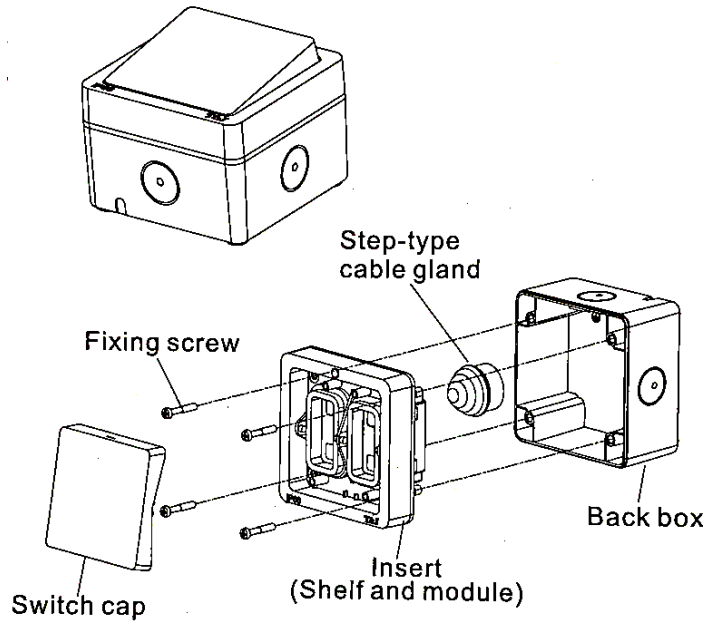
Technical Specification

- Rated Voltage: 250VAC, 50/60Hz
- Rated Current: 10AX
- With indicator light (red LED)
- With “Bell” logo
- Retractive switch (Push-button function)
- Recommended wire size:
1.5mm² - 2.5mm²
- IP66 – protected against dust and powerful water jets
- Dimensions: 83 x 83 x 68mm (WxHxD)
- Comply to standards:
BS EN 60669-1
IEC 60669-1
GB/T 16915.1

Switch Main Parts



Installation Method



Note: "LOOP" terminal – if Neutral wire looping is required, otherwise no connection.