

Product Code	Description
E2101L-2	20A 250V 1 Gang 2 Way Switch with Indicator IP66



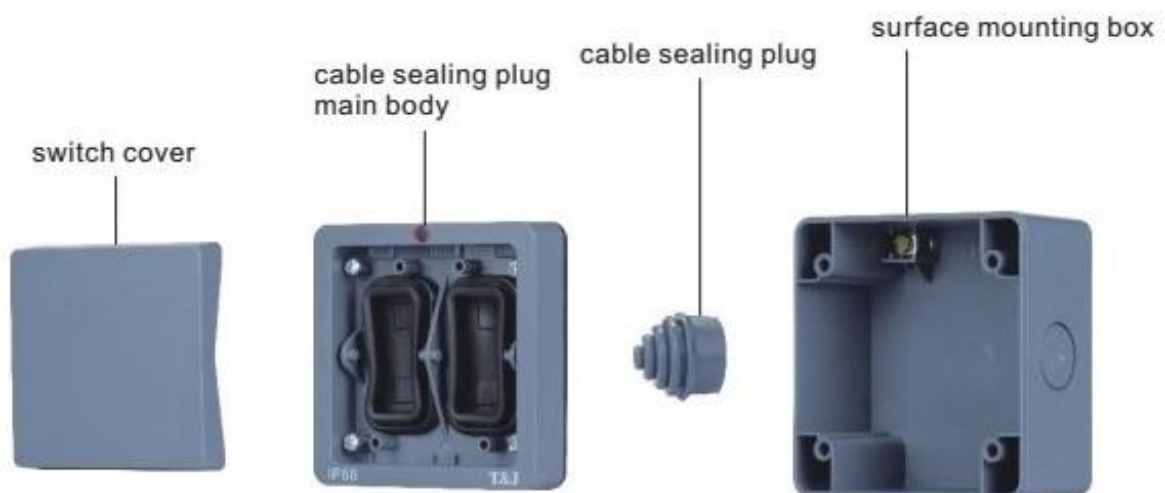
E2101L-2

Technical Specification

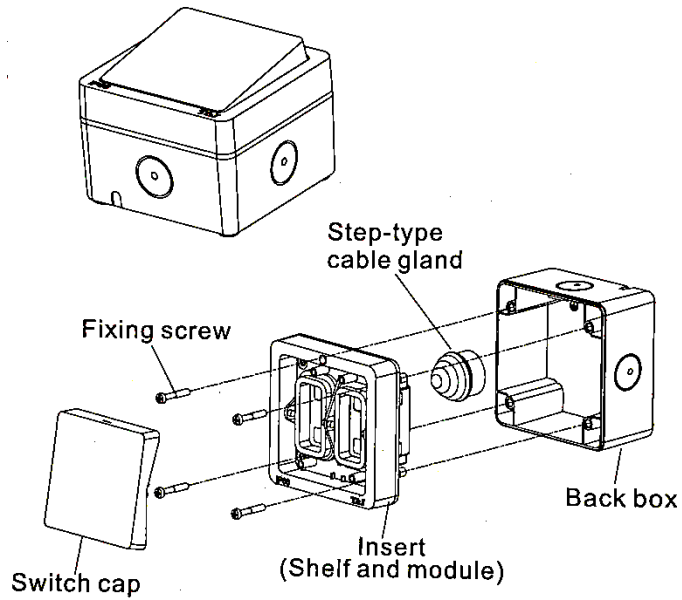
- Rated Voltage: 250VAC, 50/60Hz
- Rated Current: 20AX
- SBL*: 250W
- With indicator light (red LED)
- Recommended wire size:
4mm² - 6mm²
- IP66 – protected against dust and powerful water jets
- Dimensions: 83 x 83 x 68mm (WxHxD)
- Comply to standards:
BS EN 60669-1
IEC 60669-1
GB/T 16915.1

*SBL – Self Ballasted Lamp

Switch Main Parts

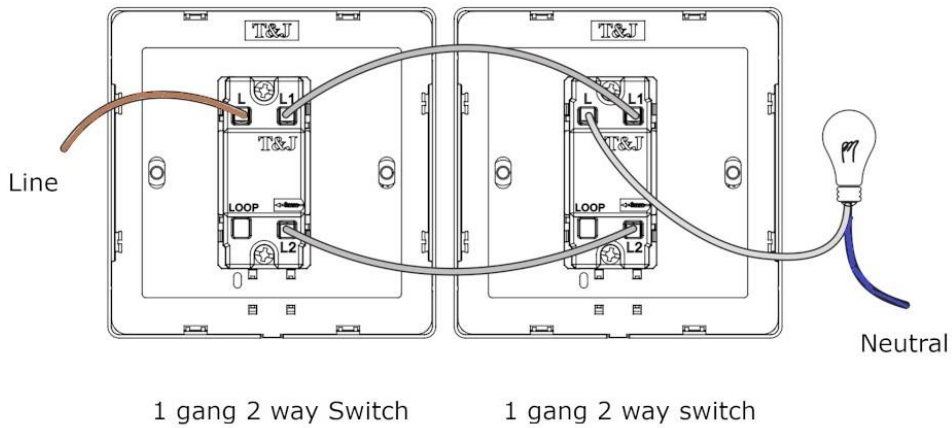


Installation Method

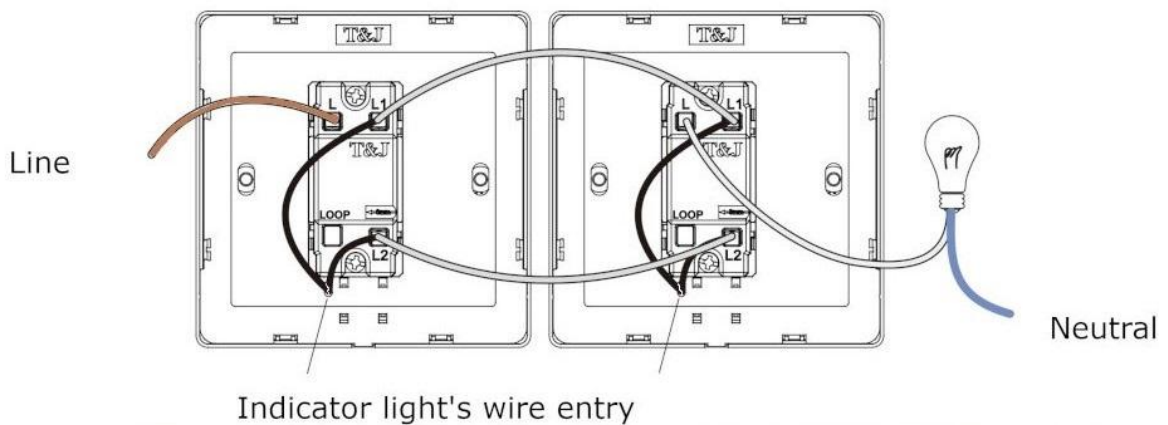


Typical 2-way Switch Connections

2-Way Switching Circuit (Control 1 lighting point from 2 switch locations)



2-way Switching with Dark-on indicator light*



*This connection may not work for low wattage (<5W) LED lamp load, the lamp may appear dimly lighted even if switched off.