

Product Code	Description
K6-KT9-D	10A 9-24V Keycard Switch with Timed-Off Delay, low voltage, dry-contact output

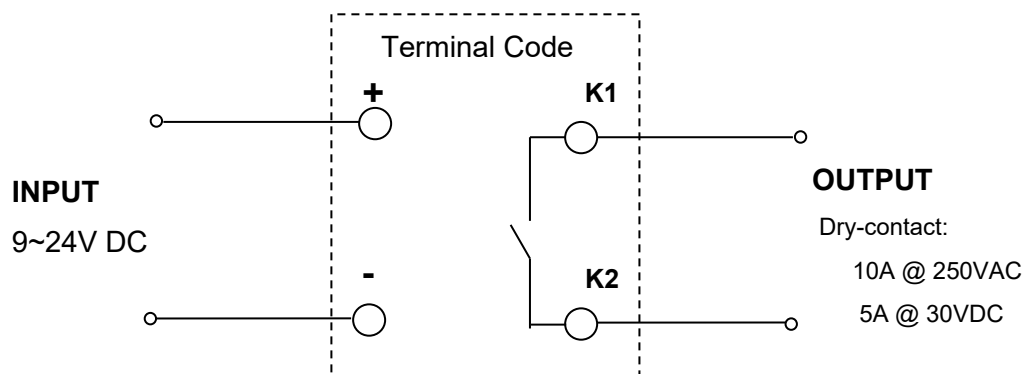


K6-KT9-D

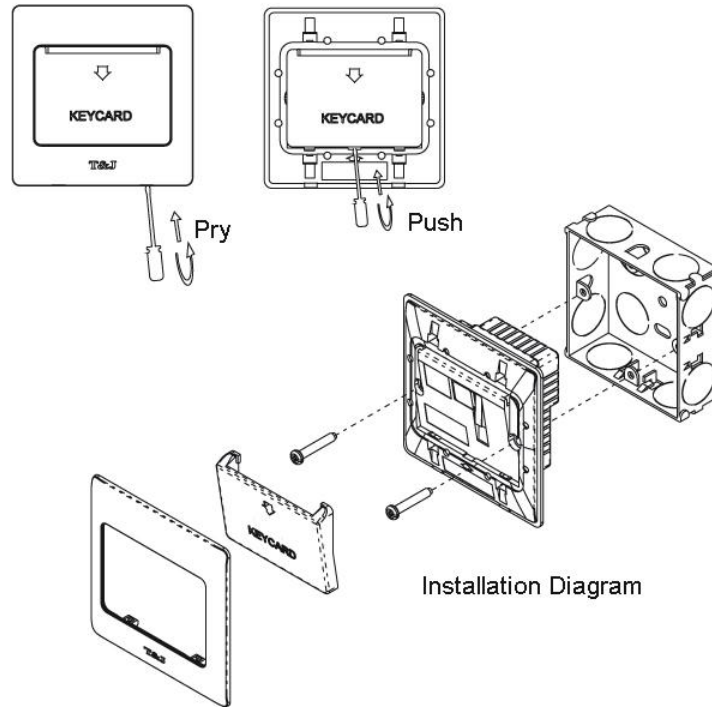
Technical Specification

- Rated supply voltage: 9 – 24 VDC (Absolute max. supply: 28 VDC)
- Output Relay: 10A @ 250 VAC; 5A @ 30 VDC
- Recommended wire size: 4mm² - 6mm²
- Off-delay time: 30±10s
- Card detection type: Mechanical (micro-switch)
- Dimensions: 86 x 86 x 5 mm (WxHxD)
- Fix Center: 60.3mm
- Fix Screw: M3.5 x 0.6 x 30mm±
- Mounting box: >35mm depth
 - R1150, flush mounting, plastic (80 x 80 x 48.4mm) (WxHxD)
 - M1247, flush mounting, metal (79 x 73 x 47mm) (WxHxD)
- Comply to standards: GB 16915, IEC 60669

Wiring Diagram:






Installation Method



Application Note:

1. Wire up the Keycard Switch as shown in the wiring diagram, ensure that the connections are properly tightened, use ferrule on wire if the wire size is not within the recommended.
2. After installation, power up the Keycard switch, after a short warm-up time, the output is on, after a delay of ~30 seconds, the output is cut off, the unit now enters a standby mode.
3. To activate the output, user slots in the card. To cut off the output (power), pull out the card. After a delay of ~30 seconds, output (power) will be automatically cut off.

Product Code	Colour
K6-KT9-D	 White
K6-KT9-SBL-D	 Matt Black (SBL)
K6-KT9-MSB-D	 Matt Silver Black (MSB)
<i>For other colour, please contact T&J Sales representative</i>	