

Manual for dimming/speed-control switch

Dimming/speed-control switch adopts potentiometer with switch. With the wide range of adjustment, it can achieve limitless dimming/speed control. Also it gives comfortable feel. The best design of circuit can automatically adjust and absorb the interfere from high frequency harmonic. With the world-branded silicon controlled, it has little interfere to power grid state, appliance and equipment thus being the ideal dimming/speed control energy-saving product.

1. Main type:

a. Voltage(class): ① AC 200~240V 50/60Hz

② AC 230V±10% 50Hz

③ AC 220V±10% 50Hz

b. Load power(class): ①40~630W ②40~1000W ③≤400W

④630W

⑤1000W

⑥400VA

c. Type of load: incandescent light bulb(dimming) and fan (speed control)

(The actual parameters of the product shall be subject to the mark on the back of the final object.)

2. Note

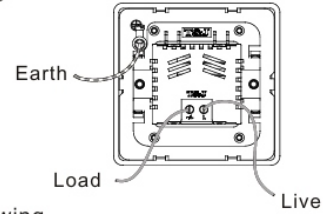
a. Overload use is strictly prohibited.

b. Please strictly follow the wiring diagram to prevent short circuit

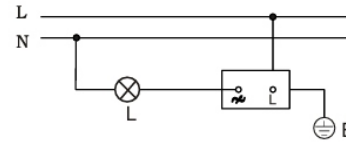
c. The switch adjustment can control the on and off of the power supply. To turn off the power, turn the knob counterclockwise to the limit.

d. The dimmer switch cannot be used to adjust the load such as fluorescent or fluorescent lamps.

Wiring diagram

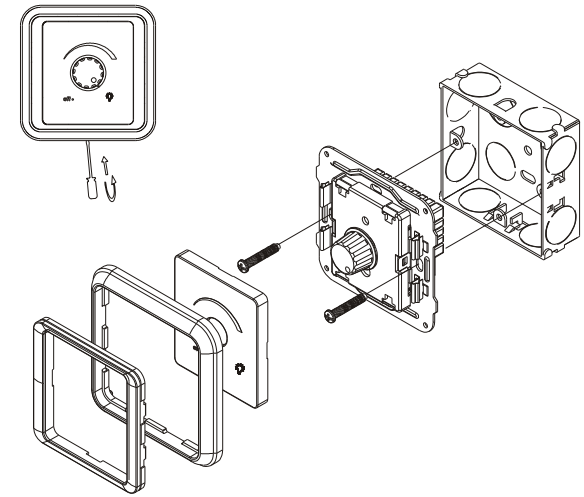


Wiring drawing

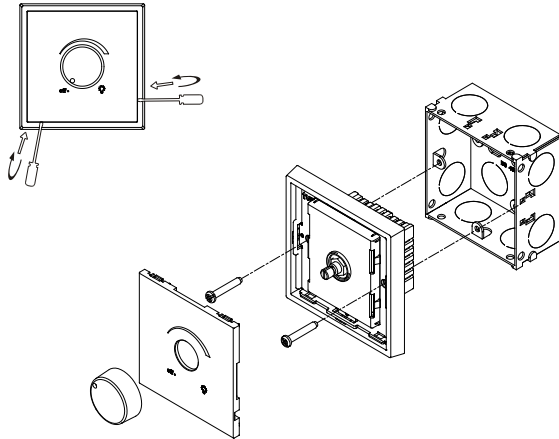


Products should be grounded

Simple Mounting 1



Simple Mounting 2



Disassembly method:

1. After removing the frame, the product can be installed on the back box.

2. When the frame is removed and the product cannot be installed or the small face needs to be removed, then prize up the knob and Unscrew the nut, remove the panel or face and install it.