

Product Code	Description
JC842PC-W	2 Gang RJ45 Cat 6A Data Socket Outlet



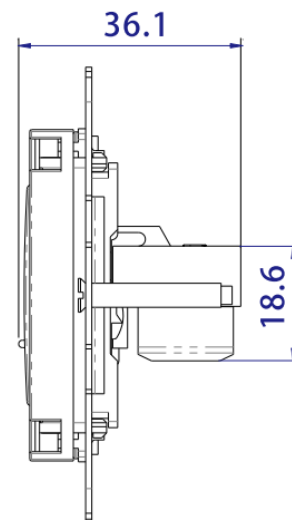
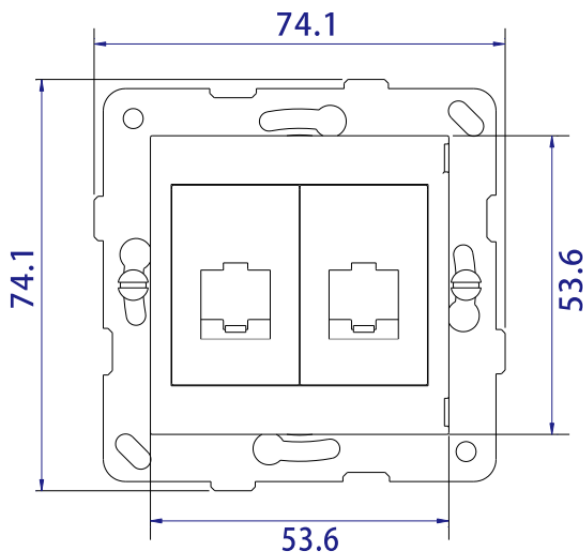
JC842PC-W-LBL

Technical Specification

- With shutter dust cover
- CAT6A, shielded tool-less jack
- Compatible CAT6A jack:
RJD-6AS8880-10D
(Shielded die-cast tool-less)
- Fix Centre: 60.3 mm
- Fix Screw: M3.5 x 0.6 x 25mm±

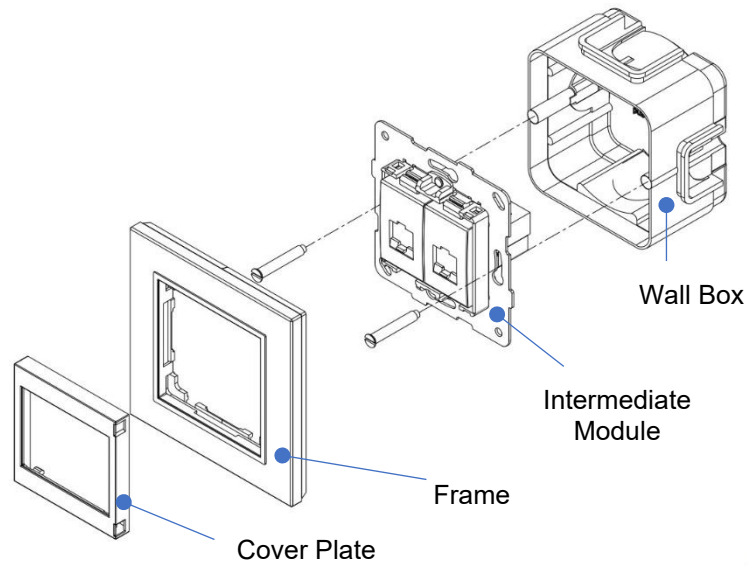
With Lavina '95 Frame: JC1401

- Dimensions: 95x95x10mm (WxHxD)
- Mounting box: >40mm depth
 - J1040, flush mounting, plastic
74.5 x 74.5 x 42mm (W x H x D)
 - M1050, flush mounting, metal
75.5 x 64 x 50mm (W x H x D)

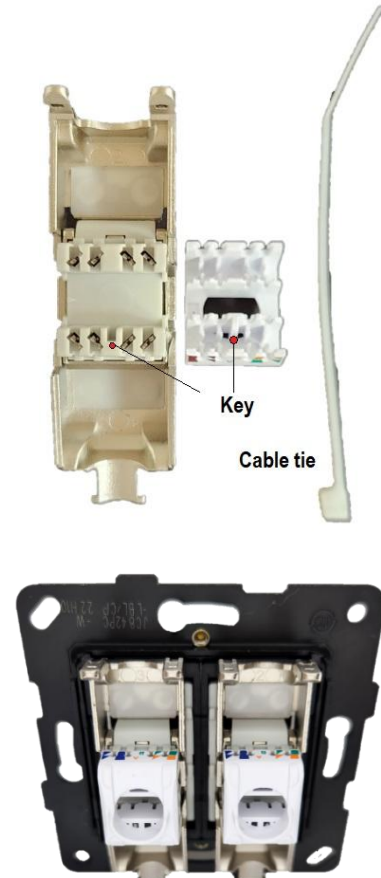
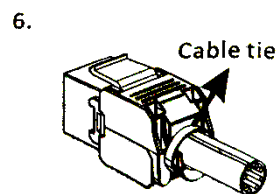
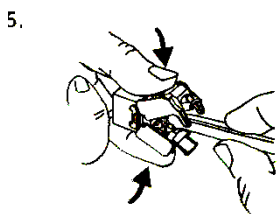
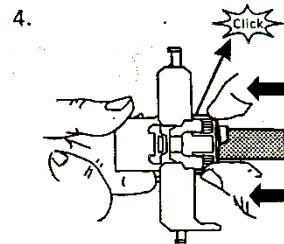
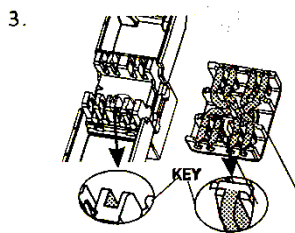
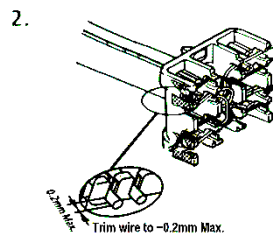
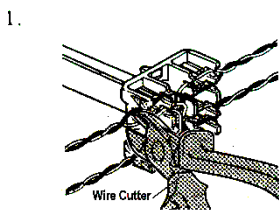




Product dimensions (mm)

Mounting Diagram



CAT 6A Tool-less Jack Assembly



Product Code	Colour
JC842PC-W-LWH	 Matt White
JC842PC-W-LBL	 Matt Black
<i>For other colours, please contact T&J Sales representative</i>	