

Product Code	Description
JC8416V-W	16A 250V 1 Gang 3 Pin Euro-American Socket Outlet



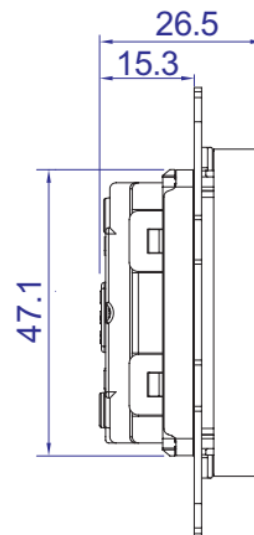
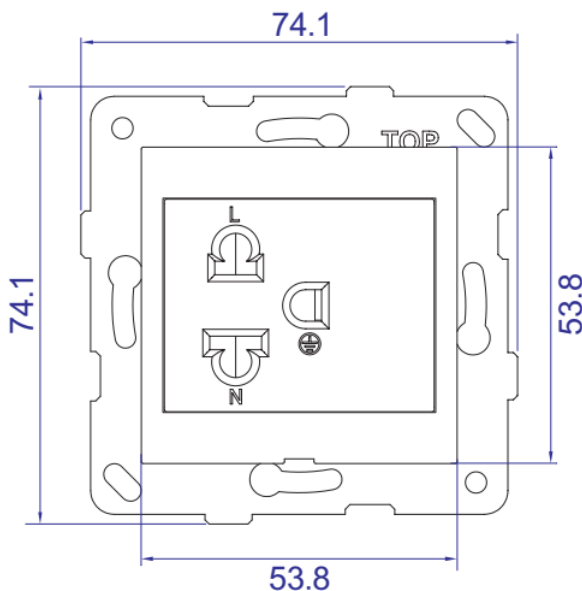
JC8416V-W-LBL

Technical Specification

- Rated voltage: 250V 50/60Hz
- Rated Current: 16A
- Recommended wire-size: 2.5 - 4.0mm²
- Fix Centre: 60.3 mm
- Fix Screw: M3.5 x 0.6 x 25mm±
- JC8416V-W = JC1512+W8416V
 JC1512 – 2-gang Deco modular frame
 W8416V – Euro-American socket (Deco)

With Lavina '95 Frame: JC1401

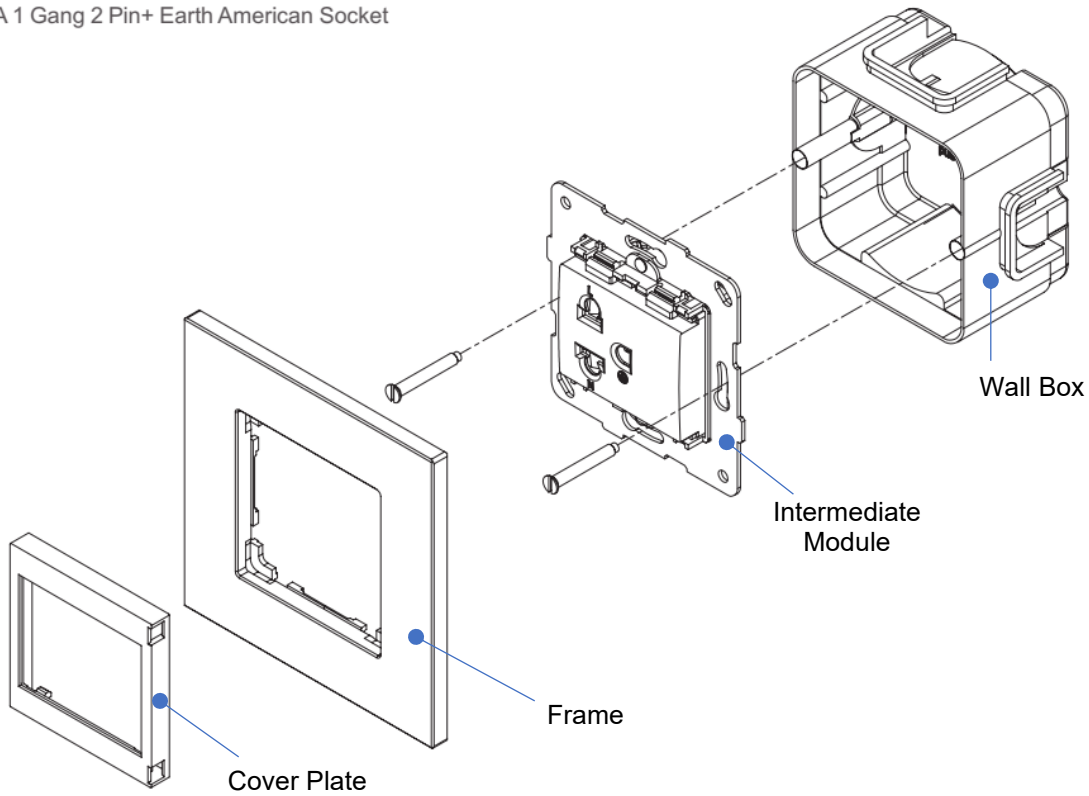
- Dimensions: 95x95x10mm (WxHxD)
- Mounting box: >40mm depth
 - J1040, flush mounting, plastic
74.5 x 74.5 x 42mm (W x H x D)
 - M1050, flush mounting, metal
75.5 x 64 x 50mm (W x H x D)
- Comply to Standards:
EN 60884-1

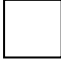



Product dimensions (mm)

Single-gang Assembly

16A 1 Gang 2 Pin+ Earth American Socket



Product Code	Colour
JC8416V-W-LWH	 Matt White
JC8416V-W-LBL	 Matt Black
<i>For other colours, please contact T&J Sales representative</i>	