

Product Code	Description
JC8416U2-W	10/16A 250V 2 Gang 2 Pin Euro-American Socket Outlet



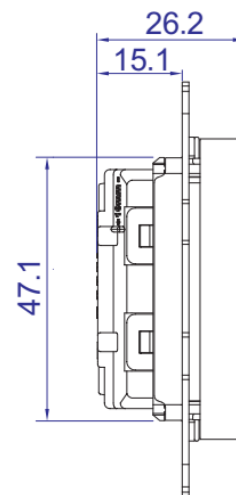
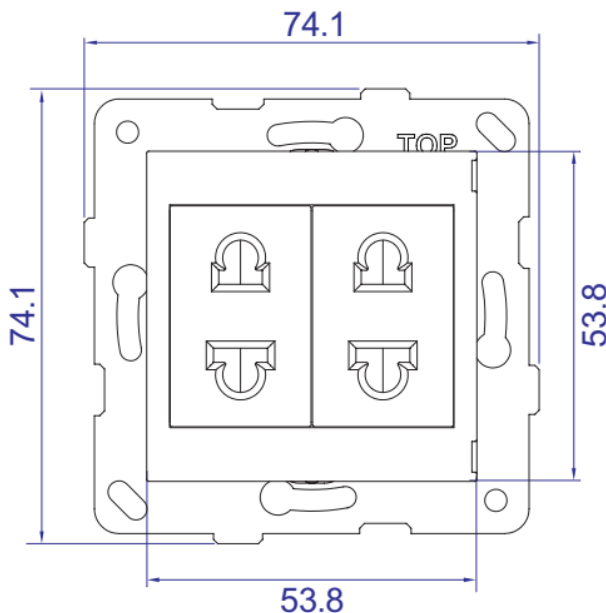
JC8416U2-W-LBL

### Technical Specification

- Rated voltage: 250V 50/60Hz
- Rated Current: 10/16A
- Recommended wire-size: 2.5 - 4.0mm<sup>2</sup>
- Fix Centre: 60.3 mm
- Fix Screw: M3.5 x 0.6 x 25mm±
- JC8416U-W = JC1512+W8416U x2  
JC1512 – 2-gang Deco modular frame  
W8416U – Euro-American socket (Deco)

### With Lavina '95 Frame: JC1401

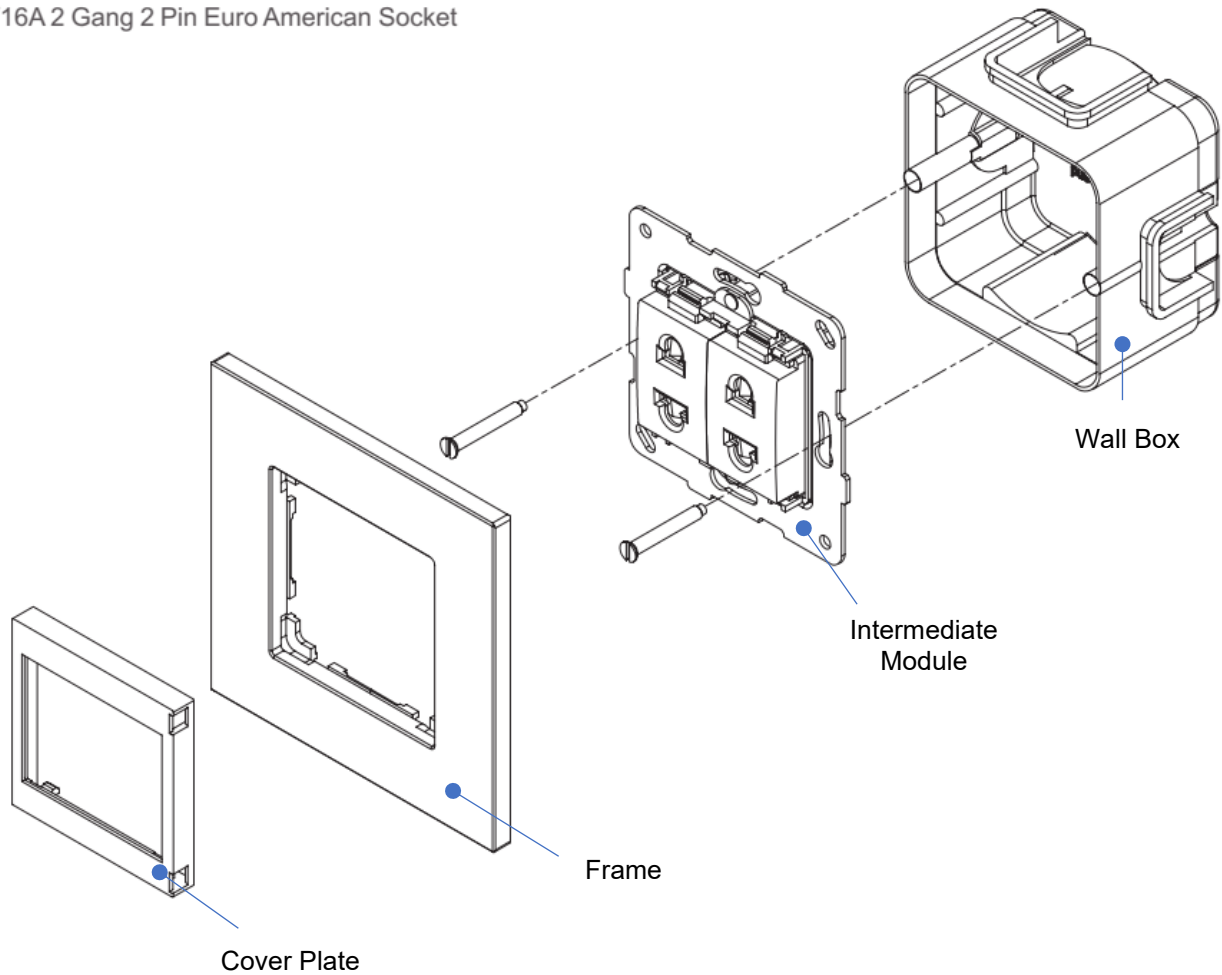
- Dimensions: 95x95x10mm (WxHxD)
- Mounting box: >40mm depth
  - J1040, flush mounting, plastic  
74.5 x 74.5 x 42mm (W x H x D)
  - M1050, flush mounting, metal  
75.5 x 64 x 50mm (W x H x D)
- Comply to Standards:  
EN 60884-1

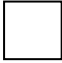



**Product dimensions (mm)**

## Single-gang Assembly

10/16A 2 Gang 2 Pin Euro American Socket



Product Code	Colour
JC8416U2-W-LWH	 Matt White
JC8416U2-W-LBL	 Matt Black
<i>For other colours, please contact T&amp;J Sales representative</i>	