

Product Code	Description
JC8318S-W	16A 250V Universal Socket Outlet



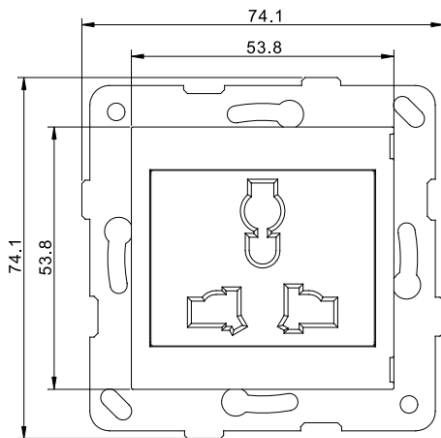
JC8318S-W-LBL

Technical Specification

- Rated voltage: 250V 50/60Hz
- Rated Current: 13A (3-pin BS Plug)
- Recommended wire-size: 2.5 - 4.0mm²
- Fix Centre: 60.3 mm
- Fix Screw: M3.5 x 0.6 x 25mm±

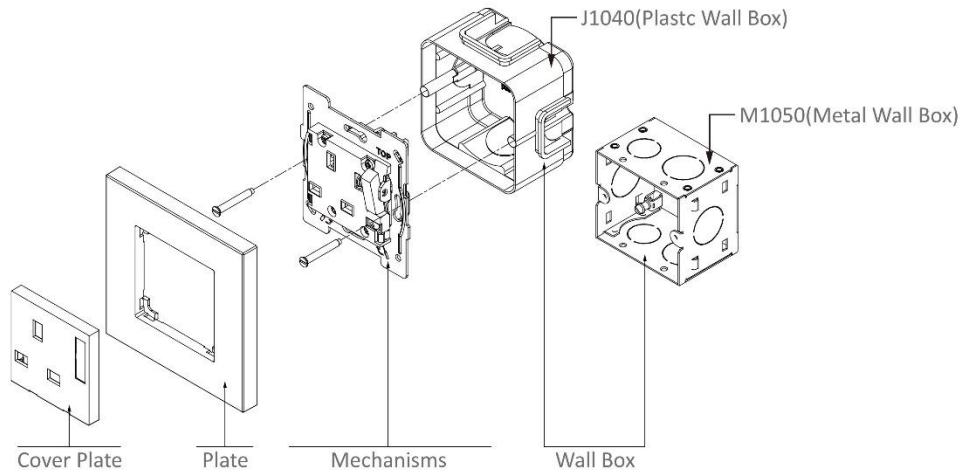
With Lavina '95 Frame: JC1401

- Dimensions: 95x95x10mm (WxHxD)
- Mounting box: >40mm depth
 - J1040, flush mounting, plastic
74.5 x 74.5 x 42mm (W x H x D)
 - M1050, flush mounting, metal
75.5 x 64 x 50mm (W x H x D)
- Comply to Standards:
EN 60884-1



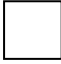

Product dimensions
(for reference)

Single-gang Assembly (for reference)



Applicable on selected type of plugs:

Plug	Description
2-pin Plug (Non-earth)	2.5A, 250V
2-pin Plug (Euro)	2.5A, 250V
2-pin Plug Round	10/16A, 250V
2-pin Plug (Non-earth)	10/16A, 250V
3-pin Plug (BS)	13A, 250V
3-pin Plug Round (BS)	5A, 250V
2-pin Australia Plug	7.5A, 250V
3-pin Australia Plug	10A, 250V
3-pin Australia Plug	15A, 250V
3-pin China Plug	6/10A., 250V
2-pin China Plug	6/10A., 250V

Product Code	Colour
JC8318S-W-LWH	 Matt White
JC8318S-W-LBL	 Matt Black
<i>For other colours, please contact T&J Sales representative</i>	