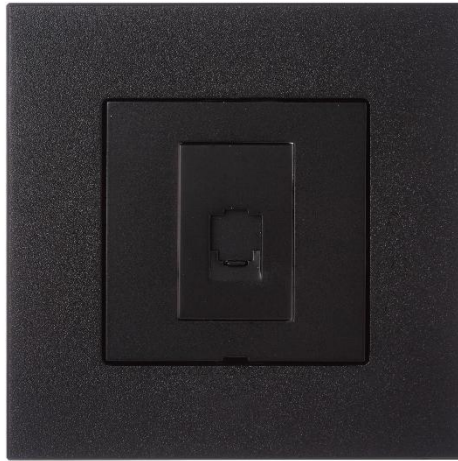


Product Code	Description
JC811-4TU-W	1 Gang 4 Core RJ11 Telephone Socket Outlet



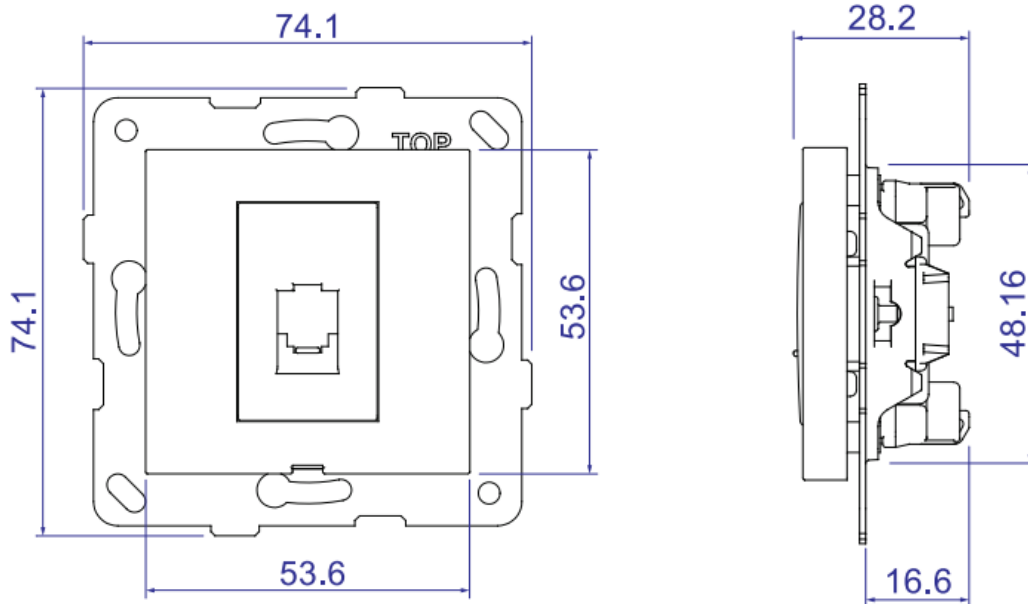
JC811-4TU-W-LBL

Technical Specification

- 6-position/4-contact female jack
- With shutter dust cover
- Push-in termination
- Compatible with RJ11 (6P2C or 6P4C)
- Fix Centre: 60.3 mm
- Fix Screw: M3.5 x 0.6 x 25mm±

With Lavina '95 Frame: JC1401

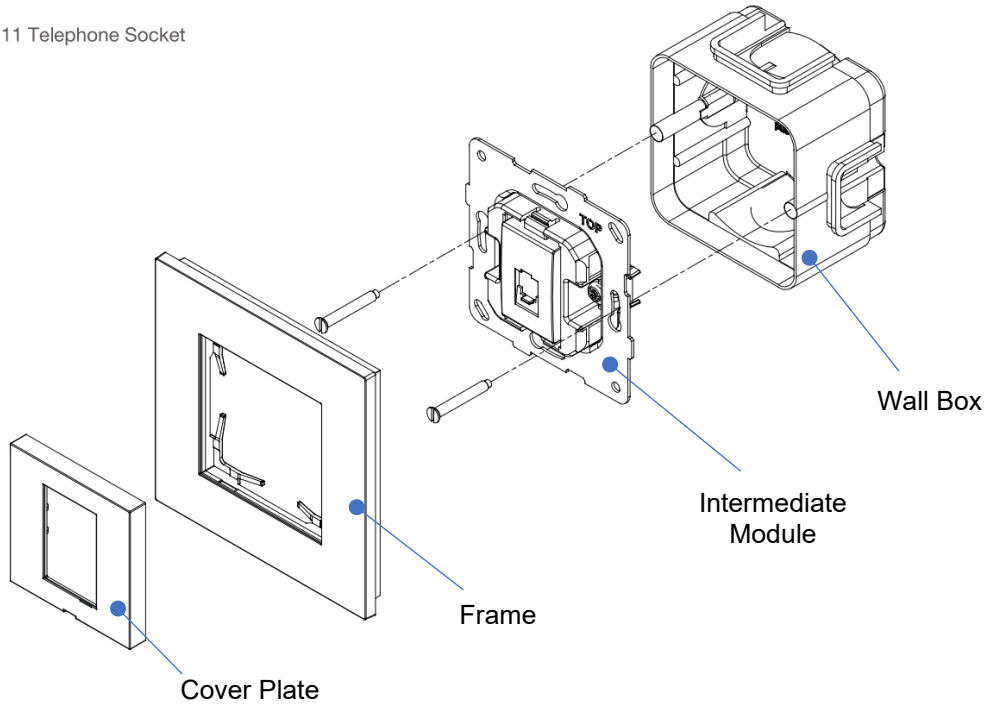
- Dimensions: 95x95x10mm (WxHxD)
- Mounting box: >30mm depth
 - J1040, flush mounting, plastic
74.5 x 74.5 x 42mm (W x H x D)
 - M1050, flush mounting, metal
75.5 x 64 x 50mm (W x H x D)



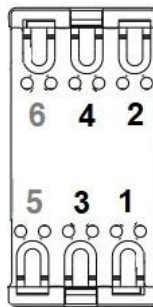
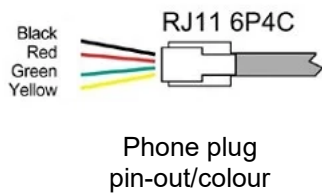
Product dimensions (mm)

Single-gang Assembly

1 Gang RJ11 Telephone Socket



Typical Wiring

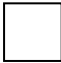



Terminal Number	Colour Code	Telephone Circuit	
		2-wire (6P2C)	4-wire (6P4C)
1	Black		✓
2	Green	✓	✓
3	Red	✓	✓
4	Yellow		✓

Note:
6P2C – 6 positions, 2 contacts
6P4C – 6 positions, 4 contacts

Note:

Use single core wire, strip away ~7mm insulation, press the release and insert wire to the respective hole

Product Code	Colour
JC811-4TU-W-LWH	 Matt White
JC811-4TU-W-LBL	 Matt Black
<i>For other colours, please contact T&J Sales representative</i>	