

Product Code	Description
HC2715	10A 1 Gang 1 Intermediate Switch

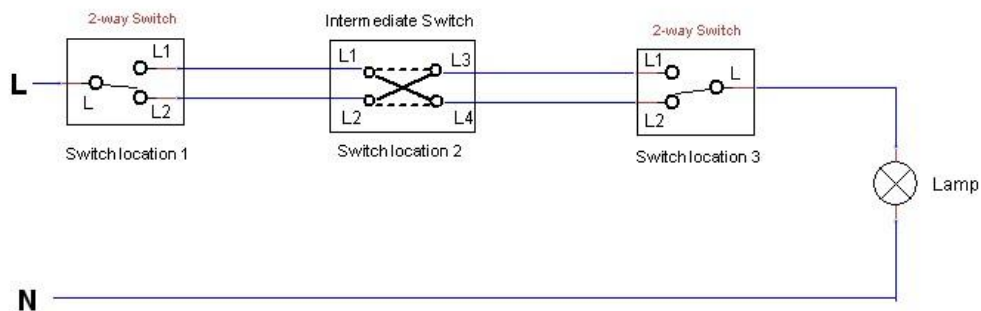


HC2715

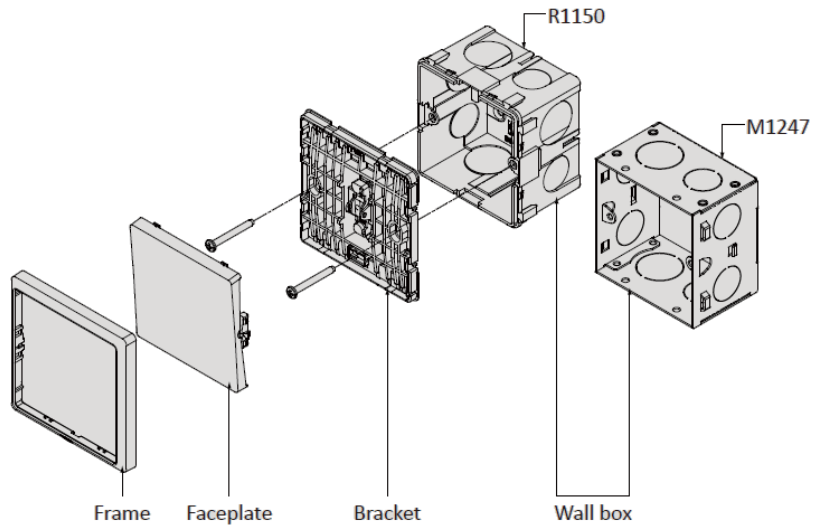
Technical Specification

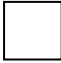



- Rated Voltage: 250VAC, 50/60Hz
- Rated Current: 10AX
- Recommended wire size:
1.5mm² - 2.5mm²
- Isolating Gap Contact: 3mm nominal
- Contact Material: Silver-Nickel Alloy
- Operating Temperature:
-5°C to +40°C
- IP Rating: IP2X
- No. of operations:
40,000 operation at 10 Amp.
- Dimensions: 86 x 86 x 10mm (WxHxD)
- Fix Center: 60.3mm
- Fix Screw: M3.5 x 0.6 x 30mm±
- Mounting box: >25mm depth
 - R1150, flush mounting, plastic (80 x 80 x 48.4mm) (WxHxD)
 - M1247, flush mounting, metal (79 x 73 x 47mm) (WxHxD)
- Comply to standards:
 - BS EN 60669-1
 - IEC 60669-1
 - GB/T 16915.1

Typical Intermediate switch wiring



Installation Method



Product Code	Colour
HC2715	 White
HC2715-SBL	 Matt Black (SBL)
HC2715-PS7	 Dark Champagne (PS7)
HC2715-ST5	 Champagne Grey (ST5)
<i>For other colour, please contact T&J Sales representative</i>	

