

## 3 Gang Zigbee Switch (with Neutral wire)

# Opal Ultra

### Description

This Zigbee wireless switch is designed for integration to Zigbee lighting control system. Switch comes with white and amber LED indicator, with provision for engraving signage/icon on faceplate.

### Specifications

#### Electrical:

##### Switch

- Rated Voltage: 220VAC  $\pm$ 20%, 50Hz
- Rated Output Load\*:
  - $\leq$ 400W per circuit (Incandescent lamp)
  - $\leq$ 160W per circuit (LED lamp)
- With Neutral wire connection

##### LED Indicator

- White LED on when switch is activated
- Amber LED for backlighting, off when switch activated
- Green LED blinking in pairing mode

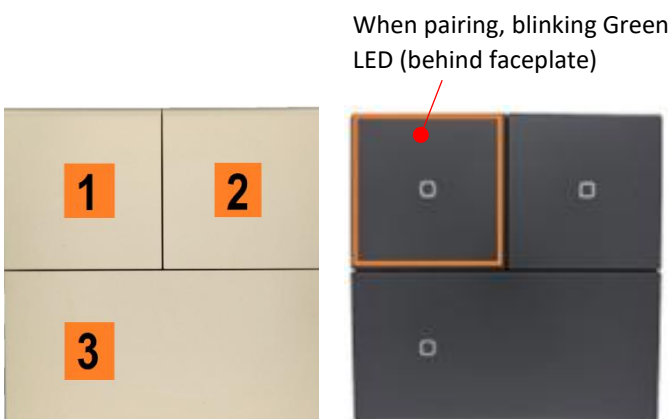
#### Mechanical:

- Recommended wire size: 0.5mm<sup>2</sup>-1.5mm<sup>2</sup>
- Overall dimension: 88mm x 86mm x 35mm (HxWxD)
- Standard 86 wall box
- Operating temperature: -10 °C to 50 °C

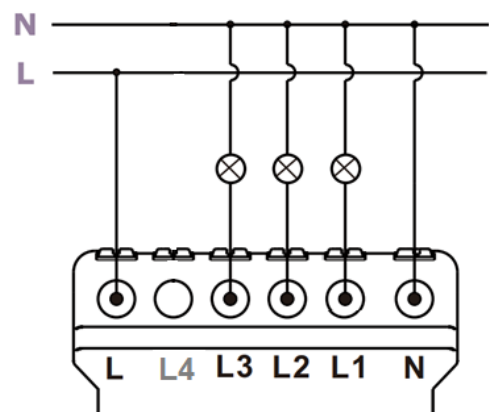
\*With internal 10A Output Relays



### Switch button numbering:



### Switch Connection:



## LED location & arrangement

(with faceplate removed, top-left corner switch button)



White LEDs (4) on



Amber LEDs (4) on



Green LED (1) on

## Technical Information:

- Zigbee 3.0 (2.4 GHz)
- Switch can function as router/repeater
- Operation range: 10-30m (indoors, depending on physical obstructions and interferences)
- Operating range can be extended with routers/repeaters (Mesh network topology)
- Easily pair with Zigbee Coordinator such as Tuya Smart Gateway
- Pairing – long press any switch button (>10 sec.), top-left green LED blinking, off when paired successfully
- Blinking LED will turn off if not paired in about 3min.
- Reset pairing - long press any switch button (>10 sec.), mobile App shows device as “off-line”
- Restore AC supply after power failure, all outputs are turned off by default
- Switch can be operated using its physical button switch, mobile APP (e.g., Smart Life App) or third-party voice-control devices e.g., Google Home/Nest

## Example: Faceplate engraved with icon



White LED when Switch-ON



Amber LED backlight

## Ordering information

Colour	Part No.
White	GA4203-ZBAN1
Matt Black	GA4203-ZBAN1-SBL
Dark Champagne	GA4203-ZBAN1-PS7
Champagne Grey	GA4203-ZBAN1-ST5

The information given in this document may be amended. You are also reminded that all products must be installed by a qualified professional.