

Product Code	Description
HC2772	6A 250V 2 Gang Blind Switch (Logo-Up/Down)



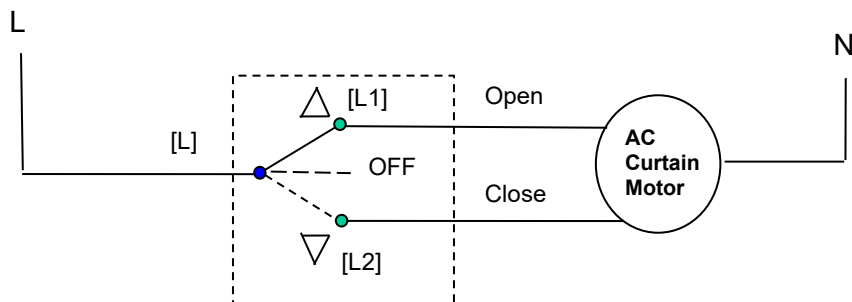
HC2772

Technical Specification

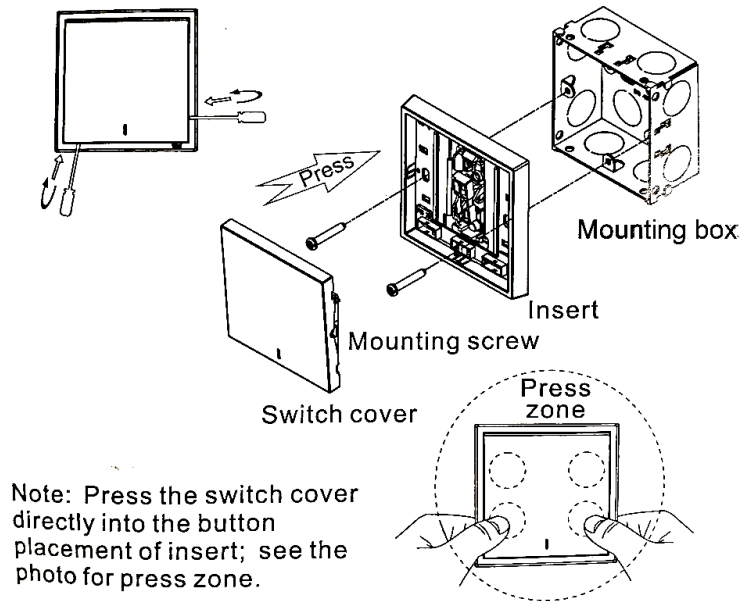
- Rated Voltage: 250VAC, 50/60Hz
- Rated Current: 6AX
- Recommended wire size:
1.0mm² - 2.5mm²
- Dimensions: 86 x 86 x 10mm (WxHxD)
- Fix Center: 60.3 mm
- Fix Screw: M3.5 x 0.6 x 30mm±
- Mounting box: >47mm depth
 - R1150, flush mounting, plastic (80 x 80 x 48.4mm) (WxHxD)
 - M1247, flush mounting, metal (79 x 73 x 47mm) (WxHxD)
- Comply to standards:
 - BS EN 60669-1
 - IEC 60669
 - GB/T 16915.1

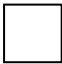



Typical wiring:

(1-Gang connection as reference)



Installation Method



Product Code	Colour
HC2772	 White
HC2772-SBL	 Matt Black (SBL)
HC2772-PS7	 Dark Champagne (PS7)
HC2772-ST5	 Champagne Grey (ST5)
<i>For other colour, please contact T&J Sales representative</i>	

