

Product Code	Description
HC2711L-2	16AX 1 Gang 2 Way Switch with Indicator Light

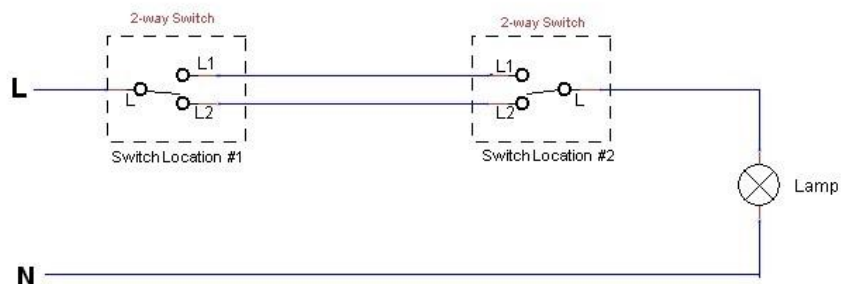


HC2711L-2

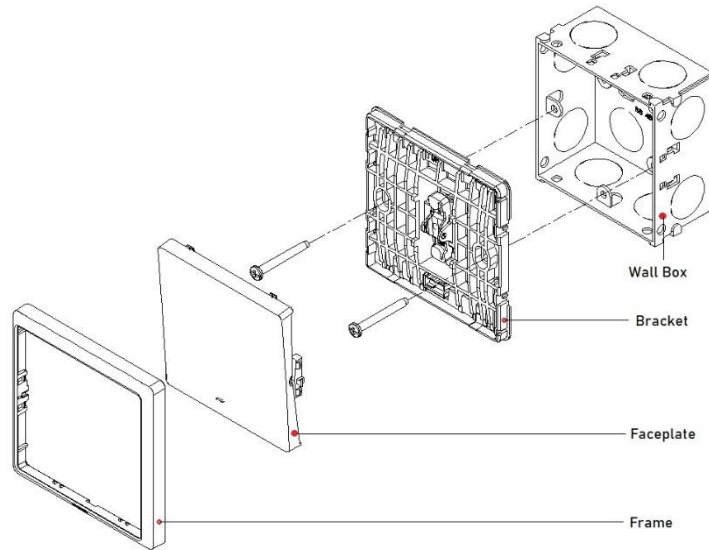
### Technical Specification

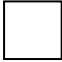



- Rated Voltage: 250VAC, 50/60Hz
- Rated Current: 16AX
- Recommended wire size:  
2.5mm<sup>2</sup> - 4mm<sup>2</sup>
- Isolating Gap Contact: 3mm nominal
- Contact Material: Silver-Nickel Alloy
- Operating Temperature:  
-5°C to +40°C
- IP Rating: IP2X
- No. of operations:  
40,000 operation at 16 Amp.
- Dimensions: 86 x 86 x 10mm (WxHxD)
- Fix Center: 60.3mm
- Fix Screw: M3.5 x 0.6 x 30mm±
- Mounting box: >25mm depth
  - R1150, flush mounting, plastic (80 x 80 x 48.4mm) (WxHxD)
  - M1247, flush mounting, metal (79 x 73 x 47mm) (WxHxD)
- Comply to standards:
  - BS EN 60669-1
  - IEC 60669-1
  - GB/T 16915.1

### Typical 2-way switch connection



## Installation Method



Product Code	Colour
HC2711L-2	 White
HC2711L-2-SBL	 Matt Black (SBL)
HC2711L-2-PS7	 Dark Champagne (PS7)
HC2711L-2-ST5	 Champagne Grey (ST5)
<i>For other colour, please contact T&amp;J Sales representative</i>	

